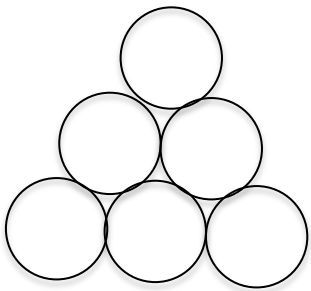
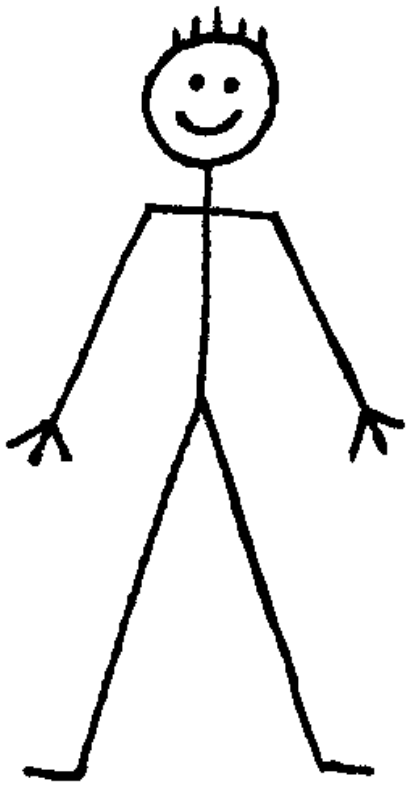
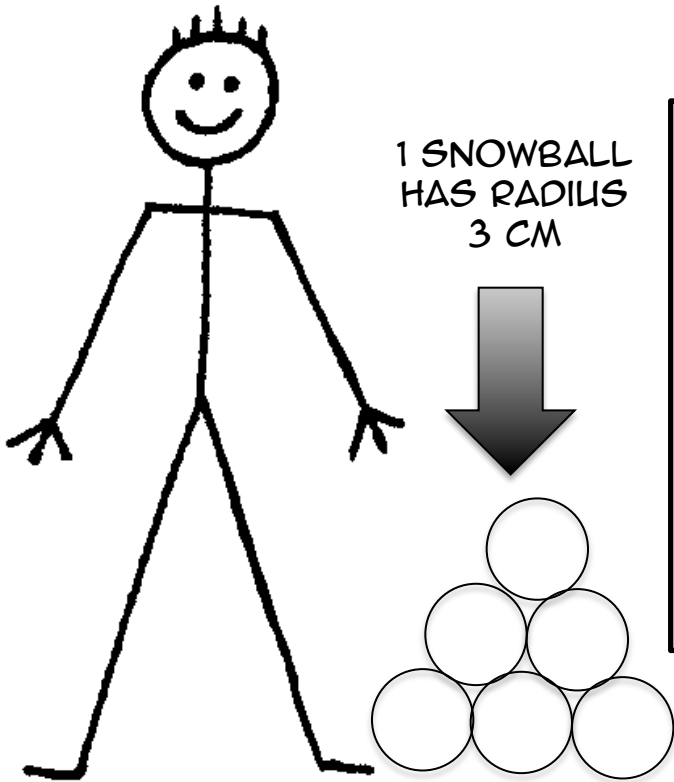
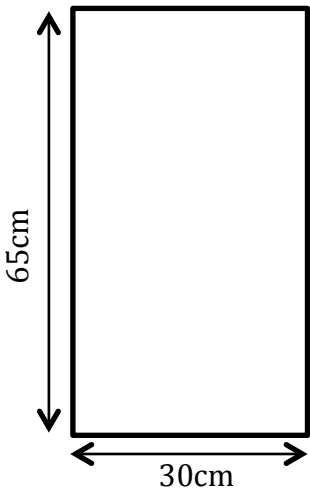


# *THE SNOWBALL MULTI-DIMENSIONAL DUEL*

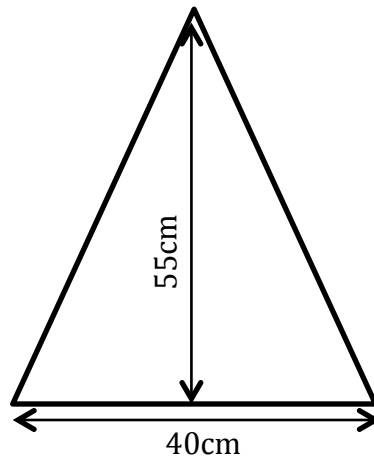




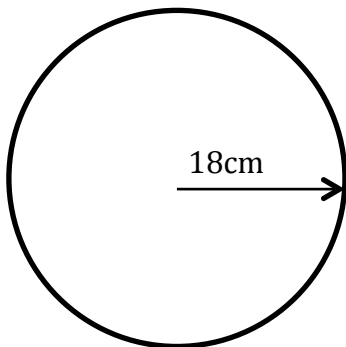
PART 1:  
 MR FLAT WANTS TO WIN THE SNOWBALL FIGHT.  
 SADLY HE HAS NO IDEA IF HE HAS ENOUGH SNOW TO MAKE AN ARSENAL OF SNOWBALLS.  
 WORK OUT HOW MANY TWO DIMENSIONAL SNOWBALLS MR FLAT CAN MAKE FROM THESE BLOCKS OF SNOW:



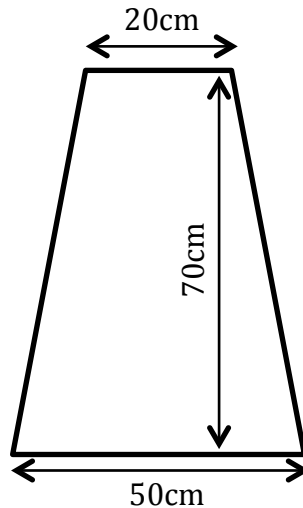
AREA OF SNOW:  
**1950**  
 NUMBER OF SNOWBALLS:  
**68**



AREA OF SNOW:  
**1100**  
 NUMBER OF SNOWBALLS:  
**38**



AREA OF SNOW:  
**1017.9**  
 NUMBER OF SNOWBALLS:  
**36**



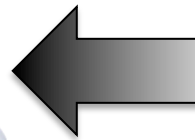
AREA OF SNOW:  
**2450**  
 NUMBER OF SNOWBALLS:  
**86**

PART 2:

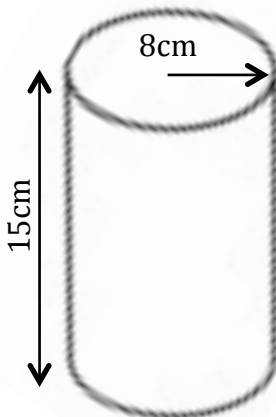
MR ROUND WANTS TO WIN THE SNOWBALL FIGHT.

SADLY HE HAS NO IDEA IF HE HAS ENOUGH SNOW TO MAKE AN ARSENAL OF SNOWBALLS.

WORK OUT HOW MANY THREE DIMENSIONAL SNOWBALLS MR ROUND CAN MAKE FROM THESE BLOCKS OF SNOW:



ONE SNOWBALL HAS RADIUS 3 CM

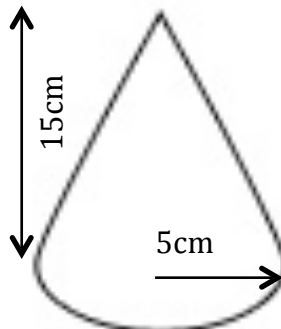


VOLUME OF SNOW:

3015.9

NUMBER OF SNOWBALLS:

26

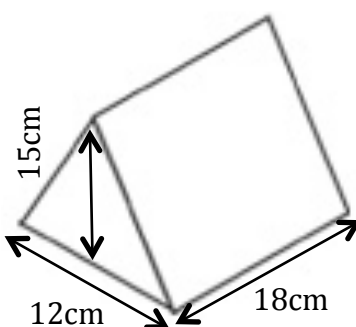


VOLUME OF SNOW:

392.7

NUMBER OF SNOWBALLS:

3

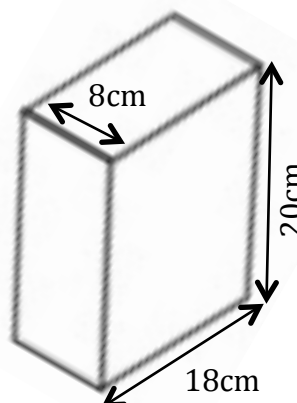


VOLUME OF SNOW:

1620

NUMBER OF SNOWBALLS:

14



VOLUME OF SNOW:

2880

NUMBER OF SNOWBALLS:

25